

## **CARRI SOCCORSO**

*BREAKDOWN TRUCKS*

*ABSCHLEPPWAGEN*

*DÉPANNÉUSES*



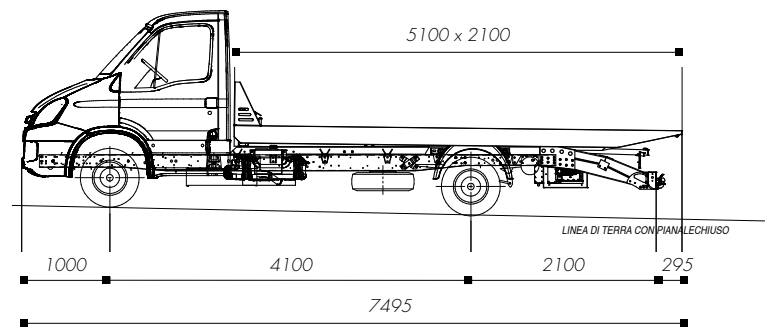
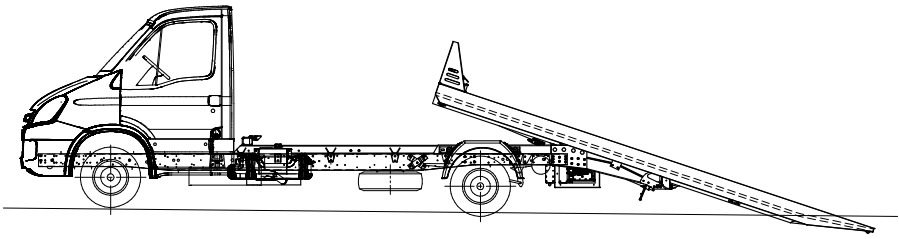
# SCA 10

isoli@isoli.com | [www.isoli.com](http://www.isoli.com)









## DIMENSIONI / OVERALL DIMENSION / GESAMTABMESSUNGEN / DIMENSIONS [mm]



CARATTERISTICHE TECNICHE / TECHNICAL FEATURES / TECHNISCHE EIGENSCHAFTEN / DETAILS TECHNIQUES

 <b>Pianale</b> Flatbed Flachbett-Abmessungen Plateau	4.750 / 5.100x2.100 mm Misure specifiche Iveco Passo 3.750 / 4.100 4,750 / 5,100x2,100 mm Iveco specific measures Wheelbase 3,750 / 4,100 4,750 / 5,100x2,100 mm Iveco spezifische Maßnahmen Radstand 3,750 / 4,100 4750 / 5100x2100 mm Dimensions spécifiques Iveco Empattement 3750 / 4100
 <b>Portata del verricello</b> Front winch Leistung der Winde Treuil	3.000 kg
 <b>Inclinazione pianale</b> Flatbed inclination Flachbett-Neigung Inclinaison plateau	9°
 <b>Comandi</b> Controls Steuerungen Commandes	Remote control Remote controls Fernbedienungen À distance